



### Main Features

- 1/3" 4.0 Mega Progressive scan CMOS
- H.264 / H.265 4.0 Mega Realtime Recording
- Support Intrusion Detection, Smart IR
- 2D/3D DNR, Real WDR, Anti-fog, IR\_CUT
- Triple-Stream, Mobile APP, Support P2P
- Support PoE, Support Reset Button, IR Array
- Support ONVIF
- IP66

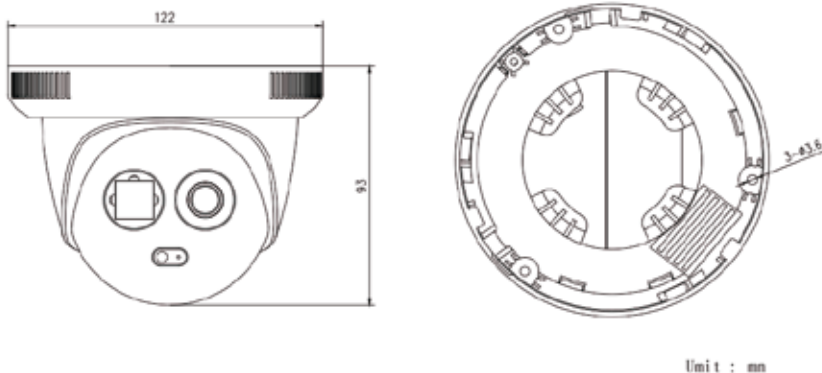


### Technical Specifications

SKU#	GESSX-IP640AR-W3
Sensor	1/3" 4.0 Mega Progressive Scan CMOS
Min.illumination	Color:0.05Lux/F1.2; 0Lux/F1.2(IR ON)
Lens	3.6mm M12 lens
IR distance	1PC IR Array, 30 M
Electronic shutter	Auto(1/10s-1/10000s Adjustable)
Day/Night	Auto/Color / B&W (IR_CUT)
Noise Reduction	2D/3D Digital Noise Reduction
Anti-fog	Support
WDR	Digital WDR, Real WDR
Image Adjustment	Sharpness,Brightness,Saturation,Contrast Adjustable
Video Encoding	H.264, H.265
Encoding Type	H.265:MainProfile; H.264:High Profile/Main Profile/BaseLine Profile
Record Resolution	Main Stream: 2560*1440@20fps; Sub Stream: 704*576@20fps; Third Stream:1280*720@15fps
Video Bitrate Control	Support VBR/CBR
Video Bitrate Range	32Kbps ~ 8Mbps
Reset Button	Front set reset button
Network Interface	RJ45 10M/100M adaptive Ethernet interface
Motion Detection	Multiple detection zones, variable sensitivity levels
Privacy Masking	Four zones for privacy masking
Snapshot	JPEG capture,capture resolution is the max coding resolution
Security Features	Support password protection, watermarking features
Text Overlay	Support (Channel name and time title)
Alarm	Support network anomaly,mask alarm and etc.
Intelligent Function	Support line-crossing detection



Mobile APP.	IOS, Android	
Network Function	TCP/IP ; UDP ; HTTP ; IGMP ; ICMP ; DHCP ; RTP/RTSP ; DNS ; DDNS ; FTP ; NTP ; PPPOE ; UP NP SMTP ; SNMP	
Protocol	Support ONVIF and CGI protocol	
Protection Grade	IP66	
PoE	N/A	Support
Power	DC 12V	
Operation Temperature	-10 C ~ +60 C.	
Operation humidity	10%--90%	
Power supply	3W MAX	
Dimensions	122 x 93 (mm)	
Weight	390g	



### Recommended Use

- Commonly used for short range distance in Outdoor and Indoor environments.
- Low height Mounting



### IP 66

Totally protected against dust and water projected in powerful jets (12.5mm nozzle) against the enclosure from any direction shall have no harmful effects.



\* These technical specifications are subject to change without prior notice. If you have any specific questions please contact us in advance of installation at 1.866.989.4082 extension #2 or ask for technical support.



**GESS**®  
TECHNOLOGIES

All trademarks and registered trademarks are the property of their respective owners. GESS Technologies is a registered trademark of Global Engineering Security Systems.

